

10W LED Flood Light

New Design with Epistar/Bridgelux LEDs

Features & Benefits

Epistar/Bridgelux LEDs

IP65

UL Pending

Power Factor: 0.95

85-265VAC

Tempered Glass

110 degree beam angle

10-200w different choices

NO noise, NO flicker, NO UV and IR.



Ordering Information

Part Number	Description
GL-FL1-10WA	LED Flood Light, Epistar/Bridgelux LED. 10W Warm white- 3000K 85-265VAC.
GL-FL1-10WA	LED Flood light, Epistar/Bridgelux LEDs.10W, Natural white- 4500K 85-265VAC
GL-FL1-10WA	LED Flood light, Epistar/ Bridgelux LEDs. 10W white 6000K 85-265VAC.

Specifications

Dimension	179 x 133 mm
Beam Angle	110 Degree
Light Source	Epistar
Input Voltage	85-265VAC
Working Frequency	50/60Hz
Ambient Temperature	-20°C - 50°C
Power Consumption	10Watts
Lumens	900-1000lms
Power Factor	0.95
Colour Temperature	Warm white(2800-3200K) Nature White(3800-4200K) Pure White(5500-6000K)
CRI	>83
Lifetime	30000 hours

Notes:

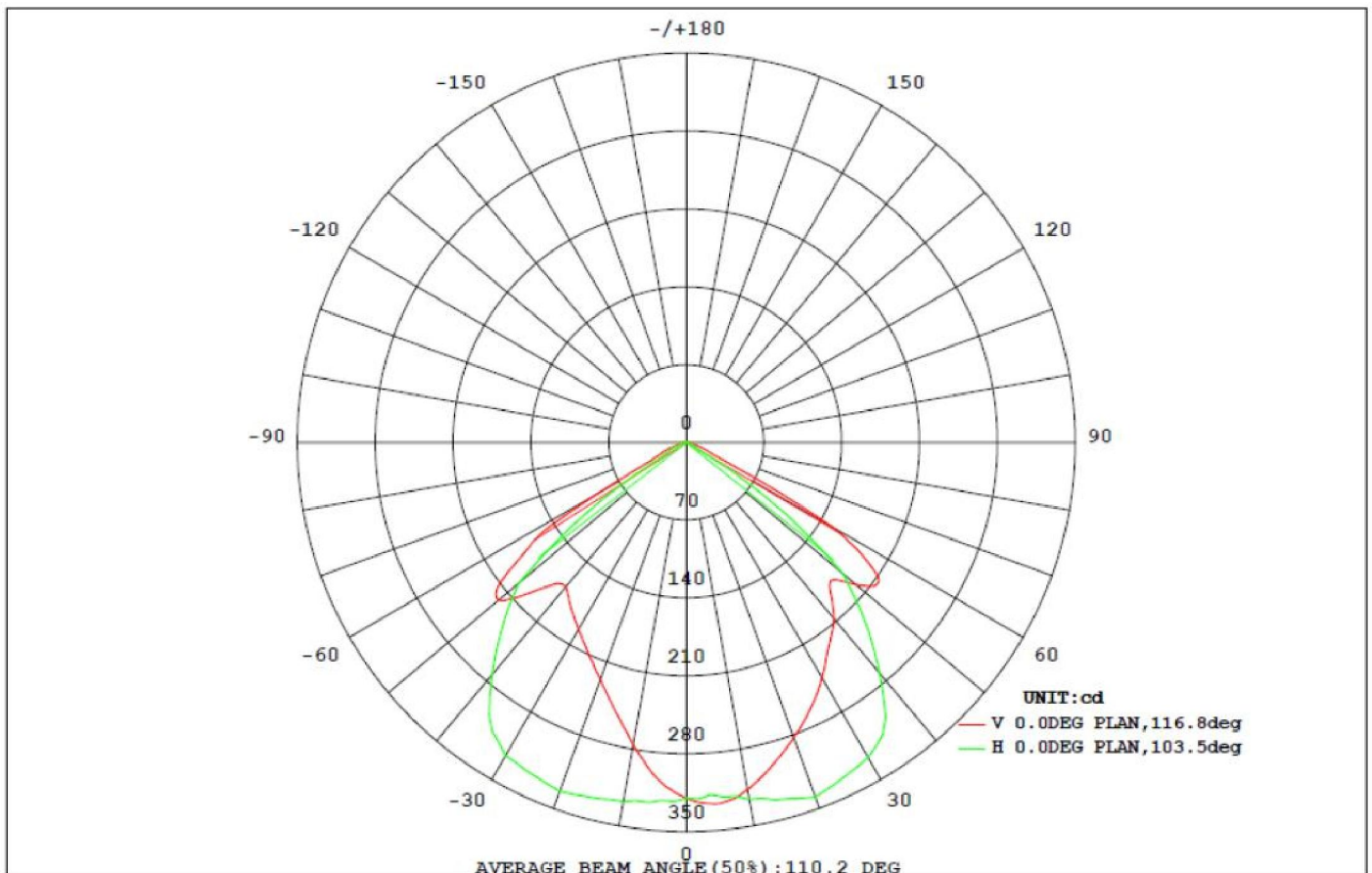
GL	FL	1	10	Color Temperature	Voltage	A
Grace LED	Flood Lamp	LED no.	Power Consumption	WW Warm White NW Nature White PW Pure White	85-265VAC	Item

Applications:

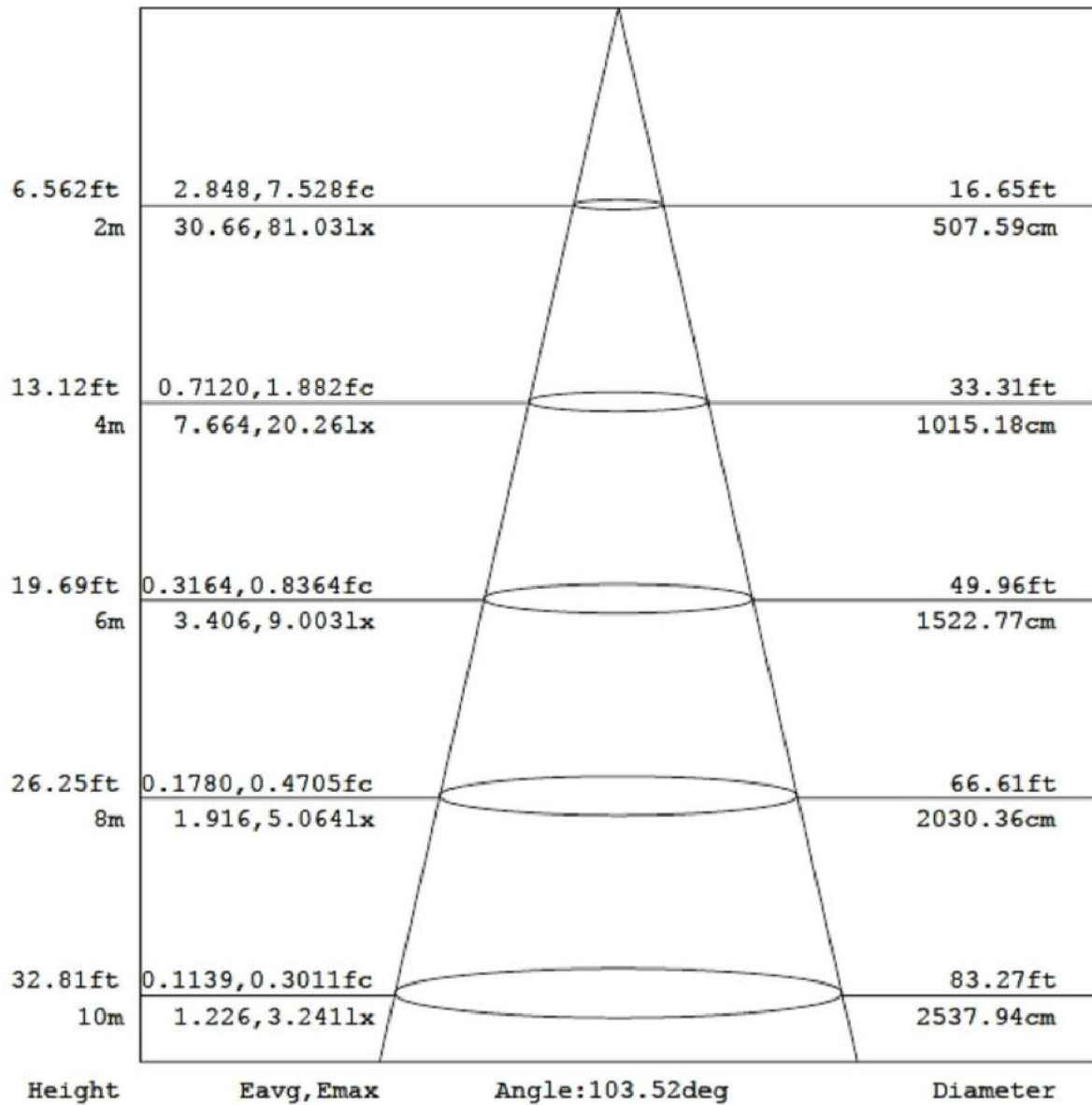
1. Square & Billboard
2. Parking Lot & Garden
3. Building
4. Factory Warehouse
5. Stadium
6. Gas Station, etc.

Testing Data:

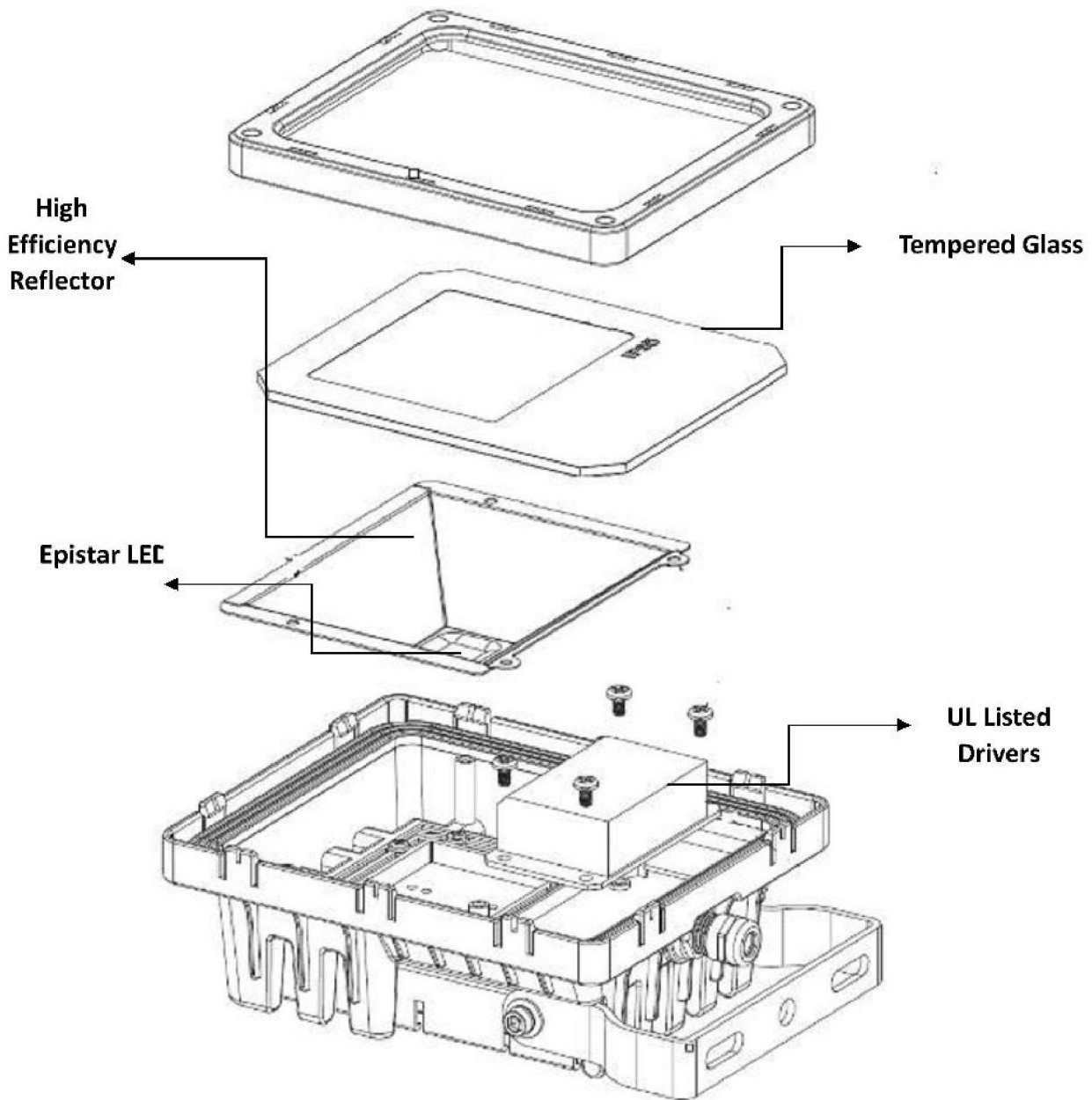
DATA OF LAMP		Eff: 74.40lm/W	
MODEL	GL-FL1-10WA	Imax (cd)	339.2
NOMINAL POWER (W)	10	AVAILABILITY (%)	98.1
RATED VOLTAGE (V)	222	Avai. FLUX (lm)	766.1
NOMINAL FLUX (lm)	781.107	LOR (%)	100.0
LAMPS INSIDE	1	TOTAL FLUX (lm)	781.2
TEST VOLTAGE (V)	221.1	θ @50% (H, V)	111,104DEG



DATA Sheet



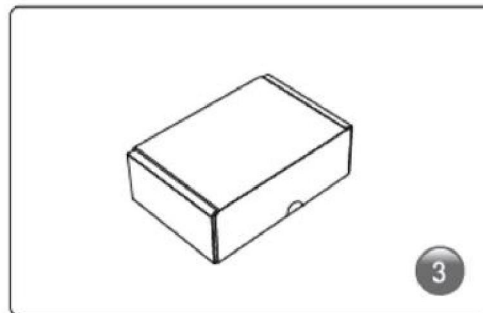
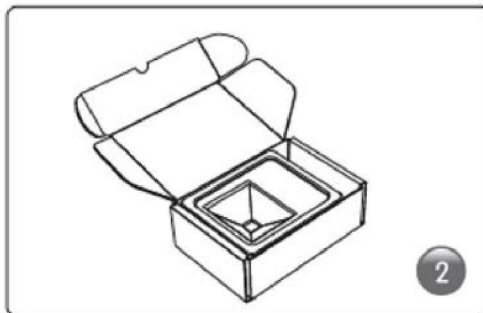
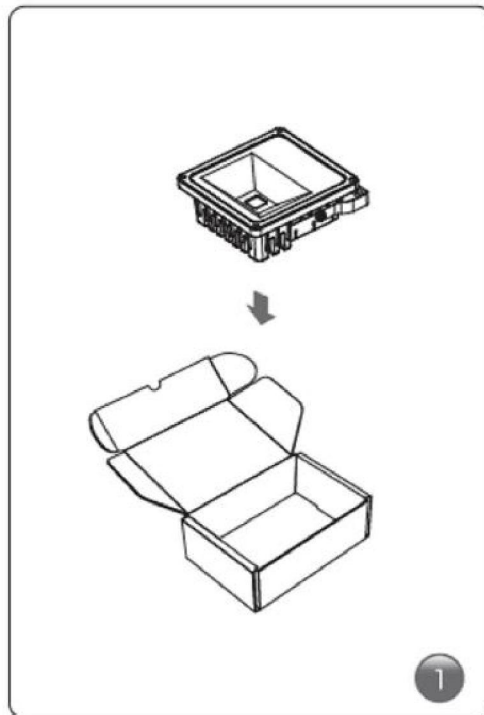
Advantages:



Packing Information:

Dimensions: 21*14.2*6.8cm

Gross Weight: 1.125kg



Version 3.8.1

Update: 2014-07-4

Copyright© 2013 Grace LED Lighting Tech Limited
All rights reserved.